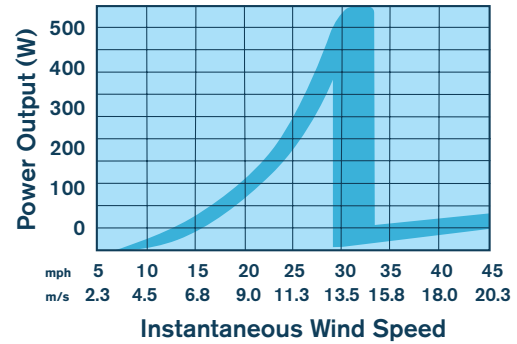




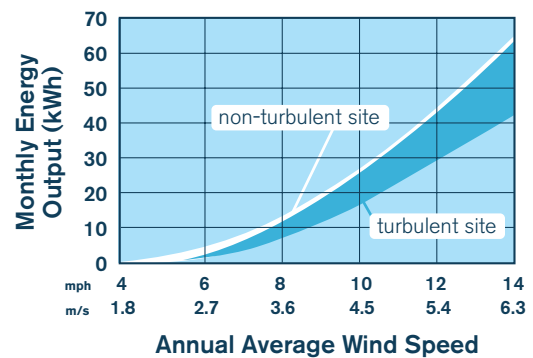
Made in the USA

Air X

POWER

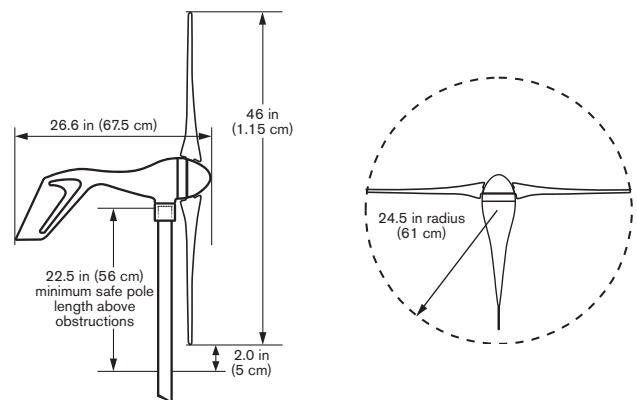


MONTHLY ENERGY



Technical Specifications

Rotor Diameter	46 in (1.15 m)
Weight	13 lb (5.85 kg)
Shipping Dimensions	27 x 15 x 9 in (686 x 38 x 228 mm) 17 lb (7.7 kg)
Mount	1.5 in schedule 40 pipe 1.9 in (48.26 mm) OD
Start-Up Wind Speed	8 mph (3.58 m/s)
Voltage	12, 24, and 48 VDC
Rated Power	400 watts at 28 mph (12.5 m/s)
Turbine Controller	Microprocessor-based smart internal regulator with peak power tracking
Body	Cast aluminum (Marine is powder coated for corrosion protection)
Blades	3-Carbon fiber composite
Overspeed Protection	Electronic torque control
Kilowatt Hours per Month	38 kWh/mo at 12 mph (5.4 m/s)
Survival Wind Speed	110 mph (49.2 m/s)
Warranty	3 year limited warranty



Southwest Windpower

1801 W. Route 66
Flagstaff, AZ 86001 USA

928.779.9463
www.windenergy.com



Makers of Skystream 3.7® / AIR / Whisper

Printed on recycled paper using vegetable inks.

Air X

Remote Power Solutions

The Air X brings versatility, efficiency and durability to remote wind power. With more than 90,000 units sold, Air X is the best-selling small wind generator in the world. Ideal for battery-charging applications, Air X is often used for remote homes, telecommunication towers, monitoring stations, and in areas of the developing world without electrical service.

