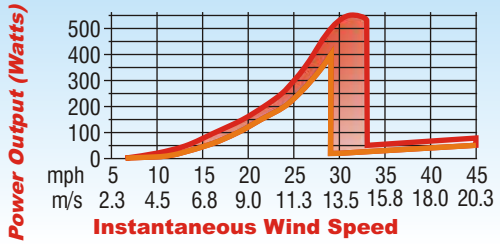
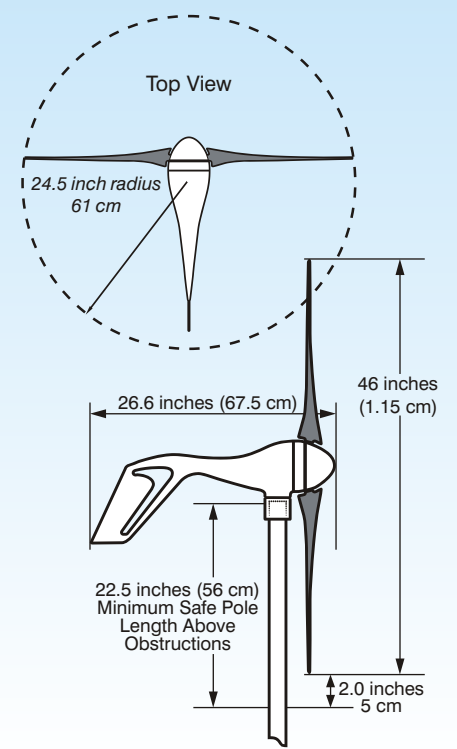


Technical Specifications

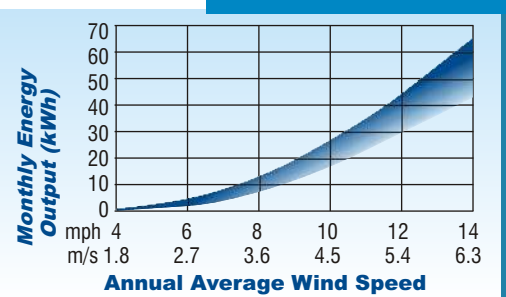


Rotor Diameter:	46 inches (1.15m)
Weight:	13 lbs (5.85kg)
Shipping Dimensions:	Shipping: 27"x15"x9" (686x38x228mm) / 17 lbs (7.7kg)
Mount:	1.5" schedule 40 pipe (1.9" OD, 48 mm)
Start-up wind speed:	8 mph (3.58 m/s)
Voltage:	12, 24, 34 and 48 VDC
Rated Power:	400 watts at 28mph (12.5m/s)
Turbine Controller:	Microprocessor-based smart internal regulator with Peak Power Tracking
Body:	Cast aluminum (Air-X Marine is powder coated for corrosion protection)
Blades (three):	Carbon Fiber Composite
Over-speed Protection:	Electronic torque control
Kilowatt hours per month:	38 kWh/mo @12mph (5.4m/s)
Warranty:	3 Year Limited Warranty
Survival Wind speed :	110 mph (49.2 m/s)

Sphere of Operation



Performance Curves



Rayleigh Distribution Curve k=2

Top Line - Non-Turbulent Site
Bottom Line - Turbulent Site

Southwest Windpower

Renewable Energy Made Simple

1801 W. Route 66 • Flagstaff, AZ 86001 USA
Tel 928-779-9463 • Fax 928-779-1485
www.windenergy.com • E-mail info@windenergy.com