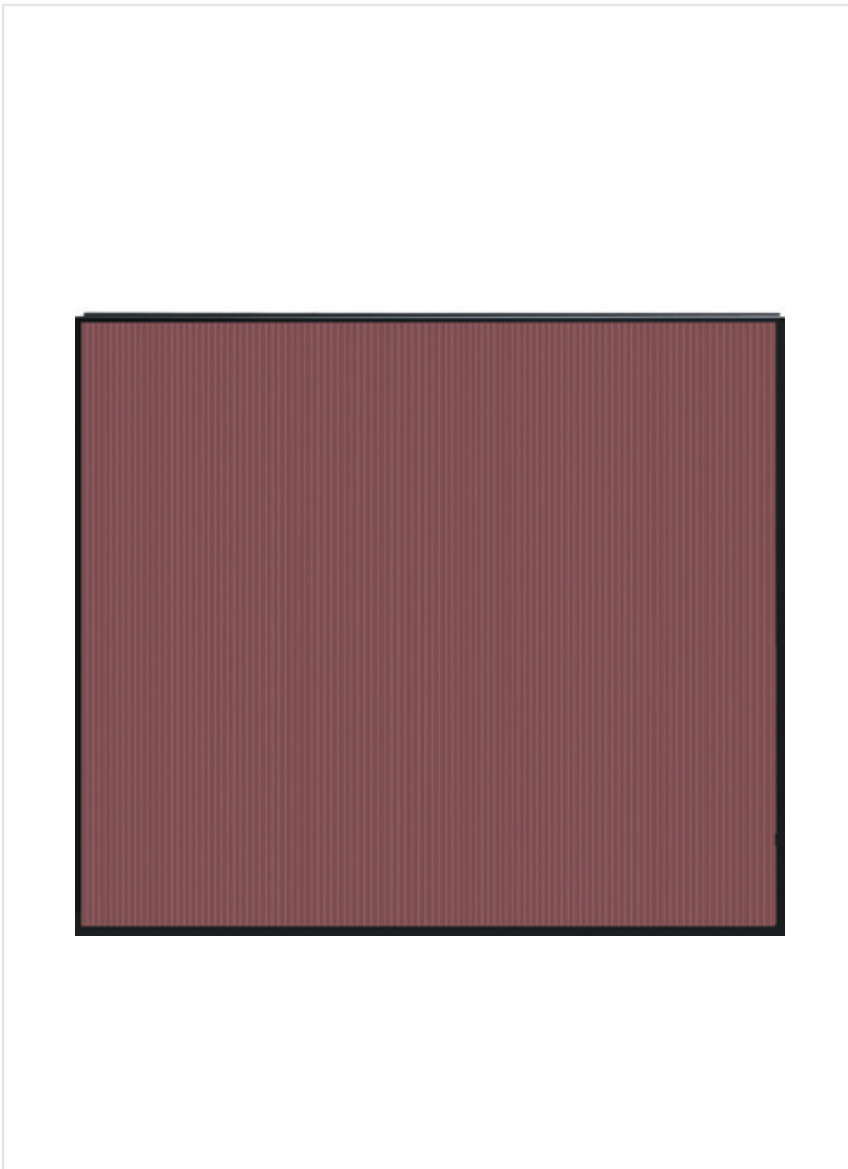




# SOLAR MODULE

## Silicon Thin-film

Kaneka K60 same as GSA-60



### Quality

- IEC 61646 tested and certified
- safety class II for 530 V system voltage (projected)

### Guarantee

- 25 years power warranty (80%)\*
- 12 years power warranty (90%)\*
- 5 years product guarantee\*

### High performance

- power tolerance +10%... -5%
- higher yield on plant due to higher power output on delivery
- high yields even at high module temperatures

### Ecological advantage

- Extremely low consumption on material ⇒ energy payback time less than 2 years

### Design

- Homogeneous colouring of frame and module surface ⇒ high-class, harmonic appearance

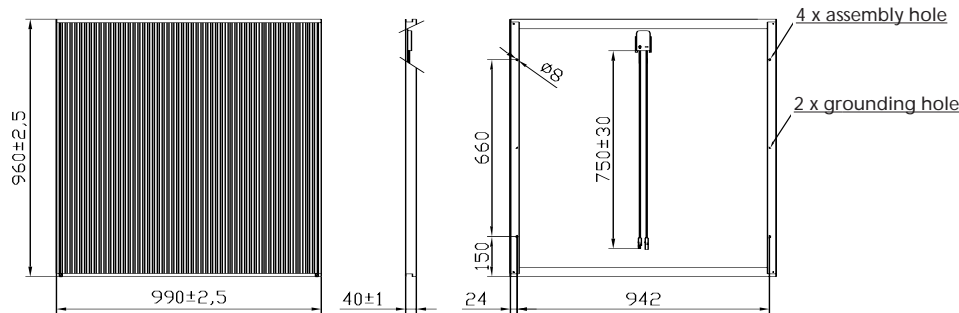


## Your advantages at a glance

- power tolerance +10%... -5%
- IEC 61646 tested and certified
- safety class II for system voltage up to 530 V (projected)
- power warranty 25 years (80%), 12 years (90%)\*
- product guarantee 5 years\*
- higher yield on plant due to higher power output on delivery
- high yields even at high module temperatures
- ecological advantage – extremely low consumption on material – energy payback time less than 2 years
- delivered ready for connection with cable and Multi-Contact plug-in connectors
- integrated bypass diodes
- 100% end control

### Attention:

The laser lines have to be installed with at least 10° inclination. Please observe the installation instructions.



Electrical values under standard test conditions  
1000 Wm<sup>2</sup>; 25°C; AM1,5.

Electrical power values  
+10 %... -5 %.  
Other electrical values ±10 %

(\* ) The complete and individual valid guarantee conditions are relevant, which will be handed out by your IBC-representative on request.

Subject to modifications that represent progress.

## Technical data

		Stabilised values	Initial values
Nominal peak power	(Wp)	60,0	79,0
Guaranteed minimum power	(Wp)	57,0	75,05
Nominal voltage	(V)	67,0	74,0
Nominal current	(A)	0,90	1,04
Open-circuit voltage	(V)	92,0	96,0
Short-circuit current	(A)	1,19	1,22
Maximum system voltage	(V)		530
Length	(mm)		960
Width	(mm)		990
Height	(mm)		40
Weight	(kg)		14
Assembly holes $\varnothing$ 8 mm	(pieces)		4