



DEEP CYCLE-SOLAR SERIES 5000

BATTERY TYPE VOLTS 2 **2 YS 31PS**

DIMENSIONS

LENGTH	394 MM	15 1/2	INCHES
WIDTH	229 MM	9	INCHES
HEIGHT	803 MM	31 5/8	INCHES

WEIGHT DRY	130 KG	285	LBS.
WEIGHT WET	91 KG	200	LBS.

CONTAINER CONSTRUCTION

INNER CONTAINER	POLYPROPYLENE
INNER COVER	POLYPROPYLENE - HEAT SEALED TO INNER CONTAINER
OUTER CONTAINER	HIGH DENSITY POLYETHYLENE
OUTER COVER	HIGH DENSITY POLYETHYLENE SNAP FIT TO OUTER CONTAINER
HANDLES	MOLDED

PLATES PER CELL 31

ELECTROLYTE RESERVE ABOVE PLATES 76 MM 3 INCHES

DESIGN CRITREA 10 YEAR WARRANTY 3300 CYCLES 15 YEAR LIFE

POSITIVE PLATE DIMENSION

HEIGHT	600 MM	23 5/8	INCHES
WIDTH	143 MM	5.625	INCHES
THICKNESS	6.99 MM	0.275	INCHES

NEGATIVE PLATE DIMENSION

HEIGHT	600 MM	23 5/8	INCHES
WIDTH	143 MM	5.625	INCHES
THICKNESS	4.57 MM	0.180	INCHES

SEPARATOR SEPARATOR THICKNESS 0.120 INCH

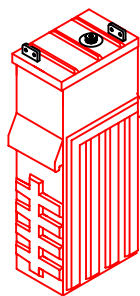
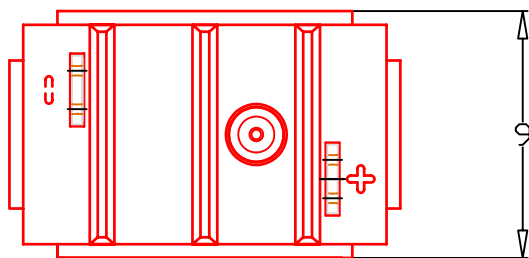
INSULATION POSITIVE PLATE DOUBLE WRAPPED WITH SLYVER 0.020 HEAVY GLASS MAT AND ENVELOPED WITH HEAVY DUTY SEPARATOR

TERMINALS FLAG WITH STAINLESS STEEL NUTS AND BOLTS

COLD CRANK	CCA	0°F / -17.8°C	5740	RESERVE	7772
	MCA	32°F / 0°C	7175	MINUTES AT 25A	

CAPACITY 20 HR RATE 2430

		CAP / AH	CURRENT / AMPS
CAPACITY AT THE 100 HOUR RATE	1.265 SP. GR.	3232	32.32
CAPACITY AT THE 72 HOUR RATE	1.265 SP. GR.	3062	42.53
CAPACITY AT THE 50 HOUR RATE	1.265 SP. GR.	2892	57.83
CAPACITY AT THE 24 HOUR RATE	1.265 SP. GR.	2503	104.3
CAPACITY AT THE 20 HOUR RATE	1.265 SP. GR.	2430	121.5
CAPACITY AT THE 15 HOUR RATE	1.265 SP. GR.	2284	152.3
CAPACITY AT THE 12 HOUR RATE	1.265 SP. GR.	2163	180.2
CAPACITY AT THE 10 HOUR RATE	1.265 SP. GR.	2066	206.6
CAPACITY AT THE 8 HOUR RATE	1.265 SP. GR.	1944	243.0
CAPACITY AT THE 6 HOUR RATE	1.265 SP. GR.	1798	299.7
CAPACITY AT THE 5 HOUR RATE	1.265 SP. GR.	1701	340
CAPACITY AT THE 4 HOUR RATE	1.265 SP. GR.	1580	395
CAPACITY AT THE 3 HOUR RATE	1.265 SP. GR.	1434	478
CAPACITY AT THE 2 HOUR RATE	1.265 SP. GR.	1239	620
CAPACITY AT THE 1 HOUR RATE	1.265 SP. GR.	875	875



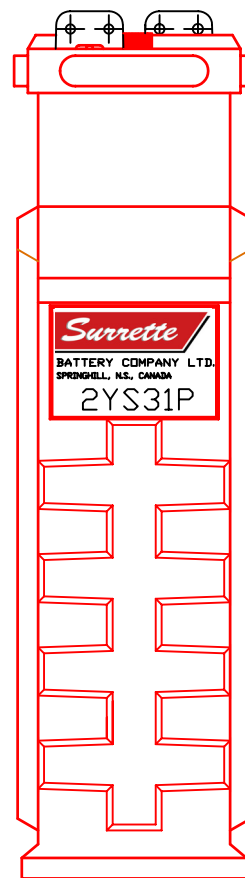
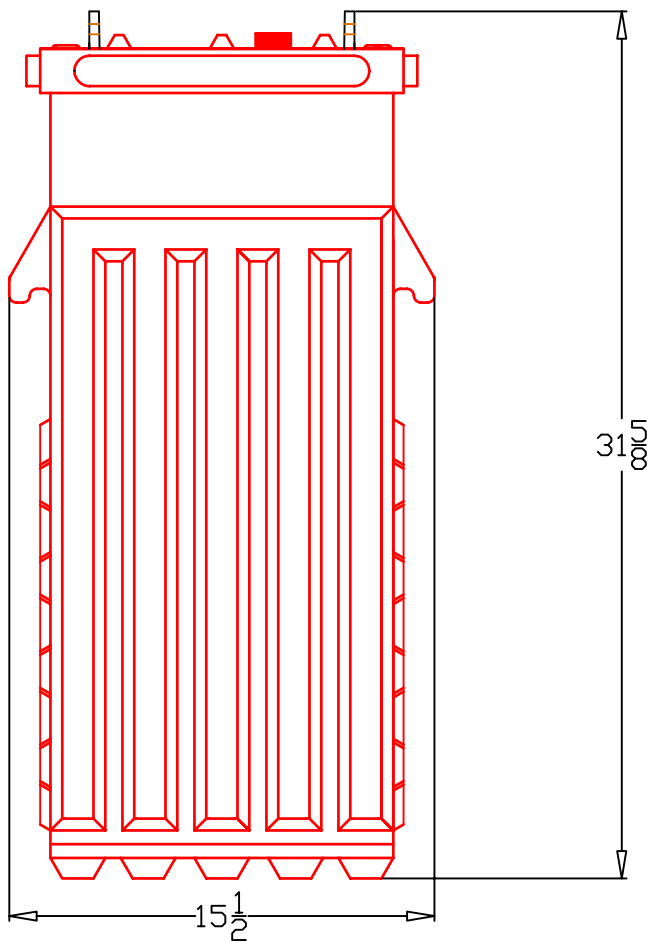
PART NUMBER: 2-YS-31P

WEIGHT WET EST: 285 LB/ 130 KG
(ESTIMATED)

WEIGHT EST: 200 LB/ 91 KG
(ESTIAMTED)

CAPACITY 1,993 AH 8 HR
2,430 AH 20 HR
3,435 AH 100 HR

OVERALL DIMS: 15½ X 9" X 31½ "



MAX HT WITH OPTIONAL 32½"
HYDROCAPS

AVAILABLE JUL-06



BATTERY COMPANY LTD.
SPRINGHILL, NOVA SCOTIA, CANADA

TITLE: 2 YS 31P

DESCRIPTION:
2V / 1 CELL 31 PLATE 500/5000 SERIES

CONTACT INFO:
WEB: WWW.SURRETTE.COM
E-MAIL: SALES@SURRETTE.COM
PHONE: 1-800-681-9914

SCALE: 1" = 7" JPEG:
 8.5" X 11" NOT TO SCALE

DATE: 16-MAR-06 REVISION REV 0

DRAWING NO.: BD2YS31P