



# DEEP CYCLE-SOLAR SERIES 5000

**BATTERY TYPE** VOLTS 6 **6 CS 17PS**

**DIMENSIONS**

LENGTH 559 MM 22 INCHES  
 WIDTH 210 MM 8 1/4 INCHES  
 HEIGHT 464 MM 18 1/4 INCHES

**WEIGHT DRY** 81 KG 178 LBS.  
**WEIGHT WET** 100 KG 221 LBS.

**CONTAINER CONSTRUCTION**

INNER CONTAINER POLYPROPYLENE  
 INNER COVER POLYPROPYLENE - HEAT SEALED TO INNER CONTAINER  
 OUTER CONTAINER HIGH DENSITY POLYETHYLENE  
 OUTER COVER HIGH DENSITY POLYETHYLENE SNAP FIT TO OUTER CONTAINER  
 HANDLES MOLDED

**PLATES PER CELL** 17

**ELECTROLYTE RESERVE** ABOVE PLATES 95 MM 3.75 INCHES

**DESIGN CRITREA** 10 YEAR WARRANTY 3300 CYCLES 15 YEAR LIFE

**POSITIVE PLATE DIMENSION**

HEIGHT 273 MM 10.750 INCHES  
 WIDTH 143 MM 5.625 INCHES  
 THICKNESS 6.73 MM 0.265 INCHES

**NEGATIVE PLATE DIMENSION**

HEIGHT 273 MM 10.750 INCHES  
 WIDTH 143 MM 5.625 INCHES  
 THICKNESS 4.70 MM 0.185 INCHES

**SEPARATOR** SEPARATOR THICKNESS 0.105 INCH

**INSULATION** POSITIVE PLATE ENVELOPED BY VERTICAL SLYVER GLASS MAT

**TERMINALS** FLAG WITH STAINLESS STEEL NUTS AND BOLTS

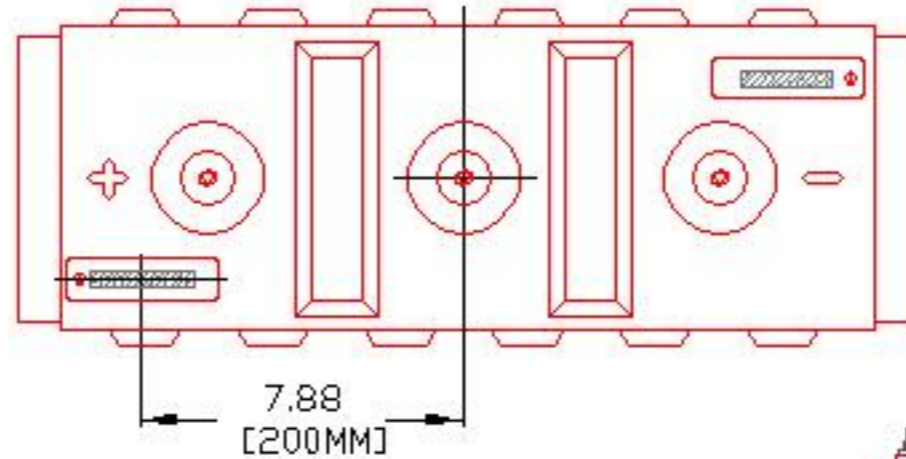
**COLD CRANK** CCA 0°F / -17.8°C 1357 **RESERVE** 1083  
 MCA 32°F / 0°C 1696 **MINUTES AT 25A**

**CAPACITY** 20 HR RATE 546

		CAP / AH	CURRENT / AMPS
CAPACITY AT THE 100 HOUR RATE	1.265 SP. GR.	770	7.70
CAPACITY AT THE 72 HOUR RATE	1.265 SP. GR.	726	10.09
CAPACITY AT THE 50 HOUR RATE	1.265 SP. GR.	672	13.43
CAPACITY AT THE 24 HOUR RATE	1.265 SP. GR.	568	23.7
<b>CAPACITY AT THE 20 HOUR RATE</b>	<b>1.265 SP. GR.</b>	<b>546</b>	<b>27.3</b>
CAPACITY AT THE 15 HOUR RATE	1.265 SP. GR.	508	33.9
CAPACITY AT THE 12 HOUR RATE	1.265 SP. GR.	475	39.6
CAPACITY AT THE 10 HOUR RATE	1.265 SP. GR.	453	45.3
CAPACITY AT THE 8 HOUR RATE	1.265 SP. GR.	426	53.2
CAPACITY AT THE 6 HOUR RATE	1.265 SP. GR.	388	64.6
CAPACITY AT THE 5 HOUR RATE	1.265 SP. GR.	366	73
CAPACITY AT THE 4 HOUR RATE	1.265 SP. GR.	339	85
CAPACITY AT THE 3 HOUR RATE	1.265 SP. GR.	306	102
CAPACITY AT THE 2 HOUR RATE	1.265 SP. GR.	262	131
CAPACITY AT THE 1 HOUR RATE	1.265 SP. GR.	186	186



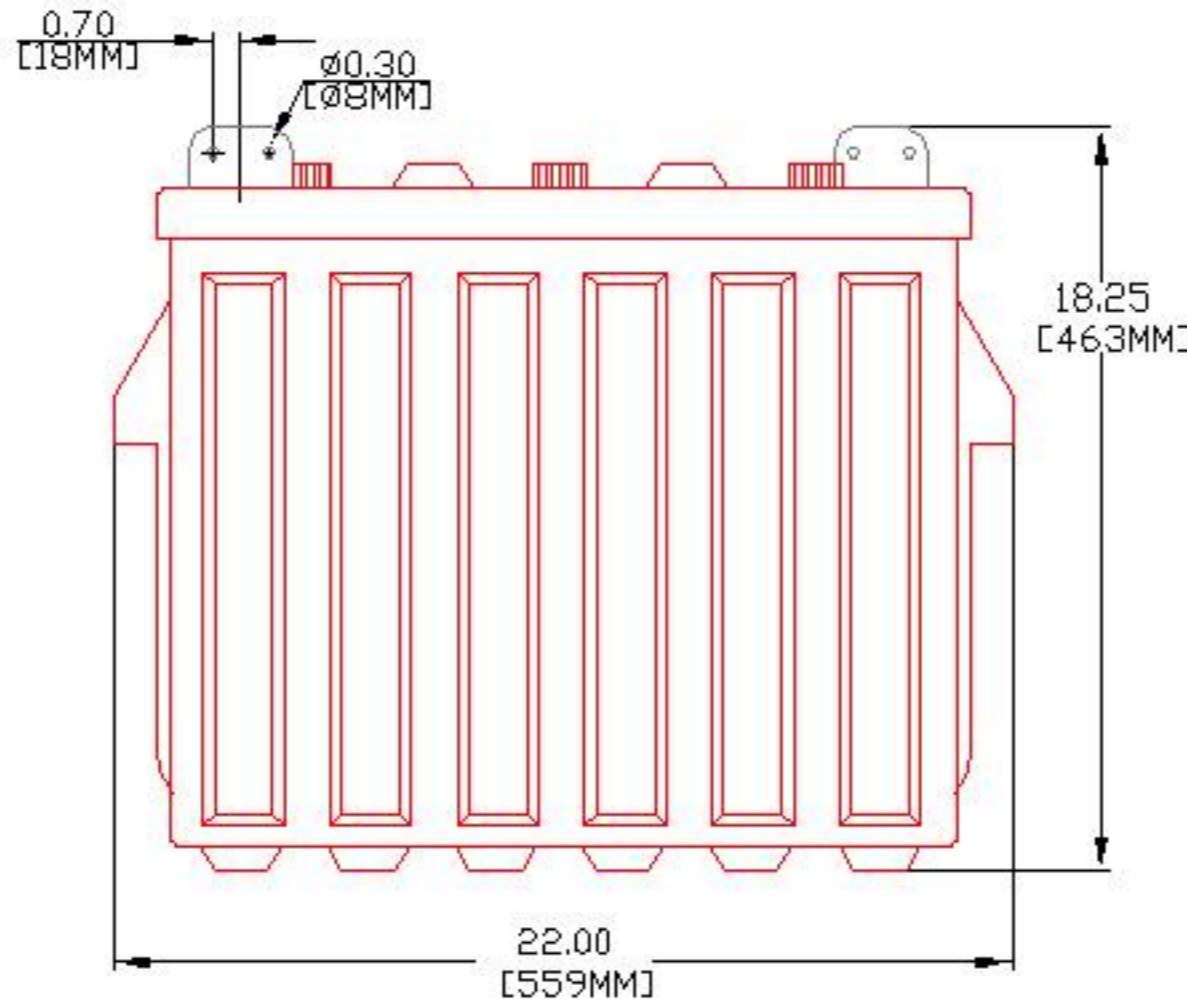
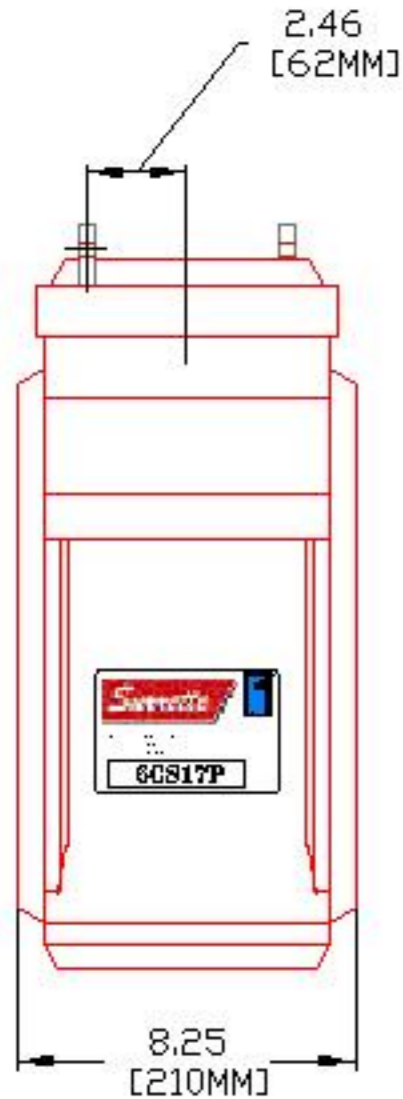
SURRETTE BATTERY CO. LTD.



PART NUMBER: 6-CS-17P  
 WEIGHT WET: 221 LB / 100 KG  
 WEIGHT DRY: 178 LB / 81 KG  
 CAPACITY: 546 AH 20 HR  
 770 AH 100 HR  
 VOLTAGE: 6 V  
 OVERALL DIMENSIONS: 22X8 1/4X18 1/4"



MAX HEIGHT WITH OPTIONAL HYDROCAPS 18 5/8" - 473 MM



BATTERY COMPANY LIMITED SPRINGHILL / NOVA SCOTIA / CANADA PRODUCT OF CANADA	
TITLE:	6CS17P
DESCRIPTION:	6V / 3 CELL 17 PLATE (CS) DEEP CYCLE 500/5000 SERIES
CONTACT INFO:	WEB: WWW.SURRETTE.COM E-MAIL: SALES@SURRETTE.COM PHONE: 1-800-681-9914
SCALE:	1" = 6" 1" = 4" JPEG 8.5" X 11" 11" X 17" NOT TO SCALE
Drawn by:	Approved By:
S. WILES	D. SURRETTE
DATE: 14-JUN-00	REVISION 2.1
DRAWING NO: DWG 005, BD6CS17P	