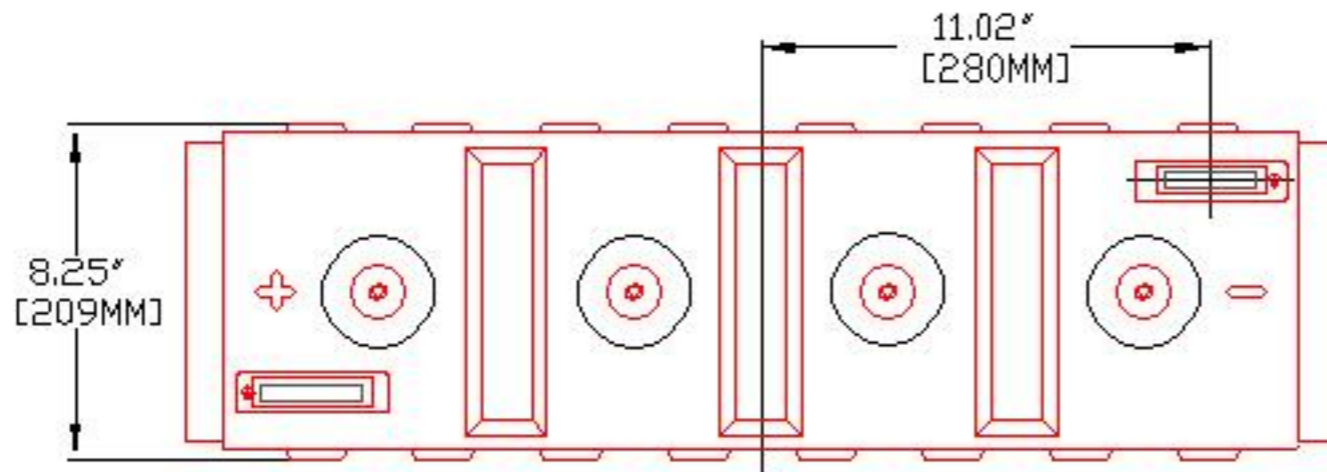




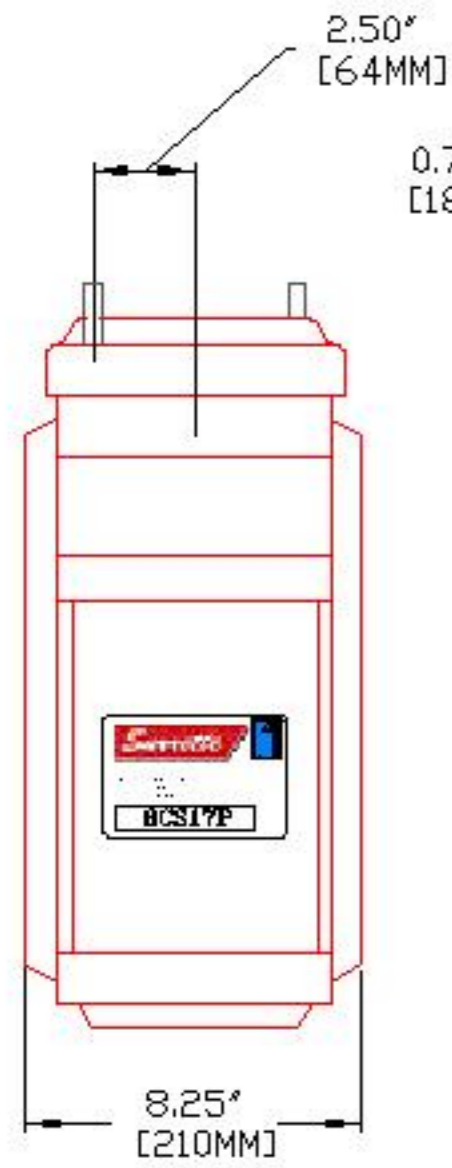
DEEP CYCLE-SOLAR SERIES 5000

BATTERY TYPE	VOLTS	8	8 CS 17PS	
DIMENSIONS				
LENGTH	718 MM	28 1/4	INCHES	
WIDTH	210 MM	8 1/4	INCHES	
HEIGHT	464 MM	18 1/4	INCHES	
WEIGHT DRY	108 KG	238	LBS.	
WEIGHT WET	134 KG	294	LBS.	
CONTAINER CONSTRUCTION				
INNER CONTAINER	POLYPROPYLENE			
INNER COVER	POLYPROPYLENE - HEAT SEALED TO INNER CONTAINER			
OUTER CONTAINER	HIGH DENSITY POLYETHYLENE			
OUTER COVER	HIGH DENSITY POLYETHYLENE SNAP FIT TO OUTER CONTAINER			
HANDLES	MOLDED			
PLATES PER CELL	17			
ELECTROLYTE RESERVE	ABOVE PLATES	95 MM	3.75	INCHES
DESIGN CRITREA	10 YEAR WARRANTY	3300 CYCLES	15	YEAR LIFE
POSITIVE PLATE DIMENSION				
HEIGHT	273 MM	10.75	INCHES	
WIDTH	143 MM	5.625	INCHES	
THICKNESS	6.73 MM	0.265	INCHES	
NEGATIVE PLATE DIMENSION				
HEIGHT	273 MM	10.75	INCHES	
WIDTH	143 MM	5.625	INCHES	
THICKNESS	4.70 MM	0.185	INCHES	
SEPARATOR INSULATION	SEPARATOR THICKNESS	0.105 INCH		
	0.020" GLASS MAT			
TERMINALS	FLAG WITH STAINLESS STEEL NUTS AND BOLTS			
COLD CRANK	CCA	0°F / -17.8°C	1351	RESERVE
	MCA	32°F / 0°C	1689	MINUTES AT 25A
				1083
CAPACITY	20 HR RATE	546		
		CAP / AH	CURRENT / AMPS	
CAPACITY AT THE 100 HOUR RATE	1.265 SP. GR.	770	7.70	
CAPACITY AT THE 72 HOUR RATE	1.265 SP. GR.	726	10.09	
CAPACITY AT THE 50 HOUR RATE	1.265 SP. GR.	672	13.43	
CAPACITY AT THE 24 HOUR RATE	1.265 SP. GR.	568	23.7	
CAPACITY AT THE 20 HOUR RATE	1.265 SP. GR.	546	27.3	
CAPACITY AT THE 15 HOUR RATE	1.265 SP. GR.	508	33.9	
CAPACITY AT THE 12 HOUR RATE	1.265 SP. GR.	475	39.6	
CAPACITY AT THE 10 HOUR RATE	1.265 SP. GR.	453	45.3	
CAPACITY AT THE 8 HOUR RATE	1.265 SP. GR.	426	53.2	
CAPACITY AT THE 6 HOUR RATE	1.265 SP. GR.	388	64.6	
CAPACITY AT THE 5 HOUR RATE	1.265 SP. GR.	366	73	
CAPACITY AT THE 4 HOUR RATE	1.265 SP. GR.	339	85	
CAPACITY AT THE 3 HOUR RATE	1.265 SP. GR.	306	102	
CAPACITY AT THE 2 HOUR RATE	1.265 SP. GR.	262	131	
CAPACITY AT THE 1 HOUR RATE	1.265 SP. GR.	186	186	

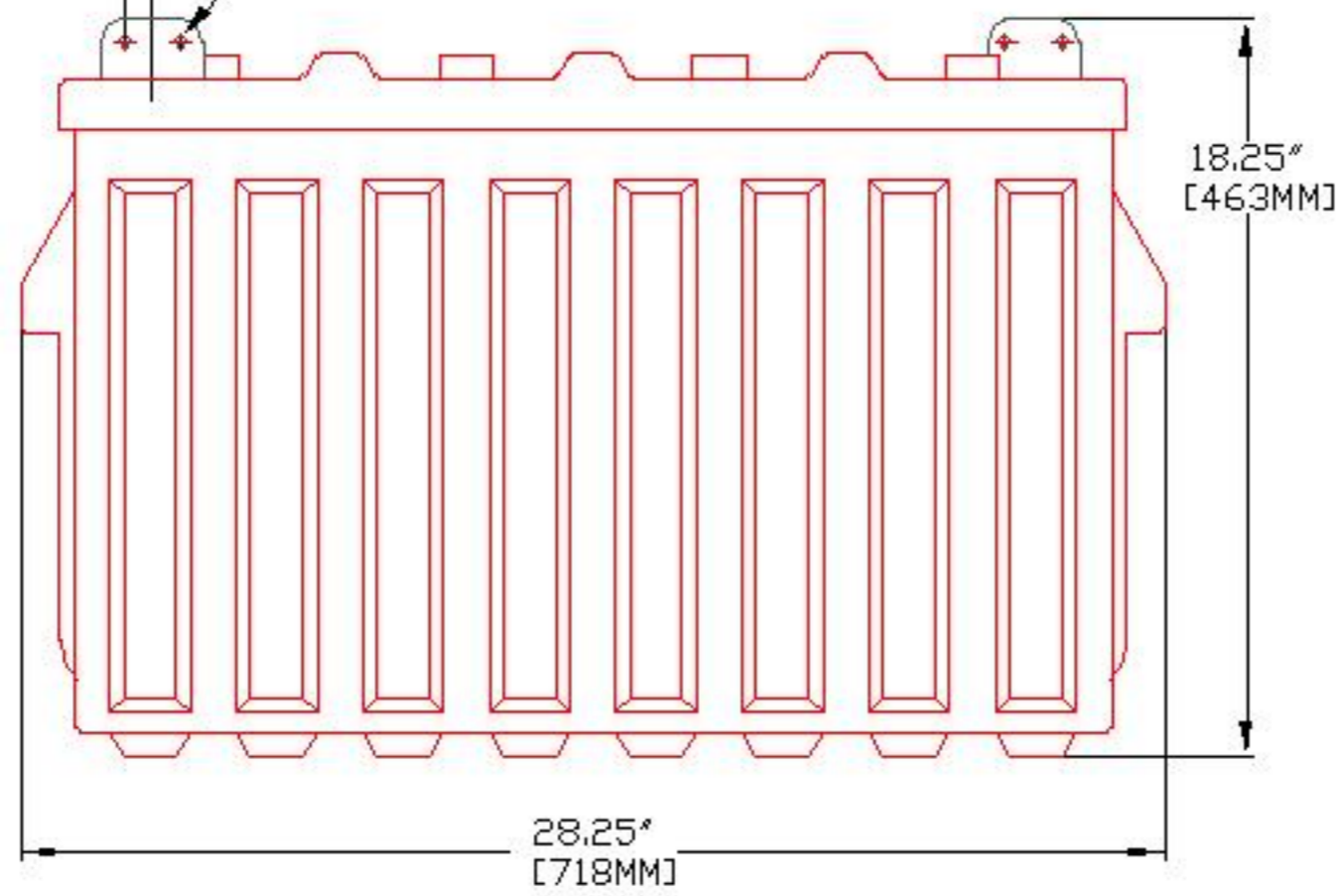


PART NUMBER: 8-CS-17P
 WEIGHT WET: 295 LB / 134 KG
 WEIGHT DRY: 238 LB / 108 KG
 CAPACITY: 546 AH 20 HR
 770 AH 100 HR
 VOLTAGE: 8 V
 OVERALL DIMENSIONS: 28 1/4" X 8 1/4" X 18 1/4"

 MAX HEIGHT WITH OPTIONAL HYDROCAPS: 18.63" / 473.2 MM



0.70" [18MM] \varnothing 0.30" [8MM]



	
BATTERY COMPANY LIMITED SPRINGHILL / NOVA SCOTIA / CANADA PRODUCT OF CANADA	
TITLE	8CS17P
DESCRIPTION	8V / 4 CELL 17 PLATE (CS) DEEP CYCLE 500/5000 SERIES
CONTACT INFO:	WEB: WWW.SURRETTE.COM E-MAIL: SALES@SURRETTE.COM PHONE: 1-800-681-9914
SCALE	1" = 6" 1" = 4" JPEG 8.5" X 11" 11" X 17" NOT TO SCALE
Drawn by	Approved By:
S. WILES	D. SURRETTE
DATE	REVISION
16-Feb-01	1.1
DRAWING NO.	DWG 036, BD8CS17P