



DEEP CYCLE-SOLAR SERIES 5000

BATTERY TYPE VOLTS **6** **6 CS 21PS**

DIMENSIONS

LENGTH	559 MM	22	INCHES
WIDTH	248 MM	9 3/4	INCHES
HEIGHT	464 MM	18 1/4	INCHES

WEIGHT DRY	99 KG	217	LBS.
WEIGHT WET	123 KG	271	LBS.

CONTAINER CONSTRUCTION

INNER CONTAINER	POLYPROPYLENE
INNER COVER	POLYPROPYLENE - HEAT SEALED TO INNER CONTAINER
OUTER CONTAINER	HIGH DENSITY POLYETHYLENE
OUTER COVER	HIGH DENSITY POLYETHYLENE SNAP FIT TO OUTER CONTAINER
HANDLES	MOLDED

PLATES PER CELL 21

ELECTROLYTE RESERVE ABOVE PLATES 95 MM 3.75 INCHES

DESIGN CRITREA 10 YEAR WARRANTY 3300 CYCLES 15 YEAR LIFE

POSITIVE PLATE DIMENSION

HEIGHT	273 MM	10.750	INCHES
WIDTH	143 MM	5.625	INCHES
THICKNESS	6.60 MM	0.260	INCHES

NEGATIVE PLATE DIMENSION

HEIGHT	273 MM	10.750	INCHES
WIDTH	143 MM	5.625	INCHES
THICKNESS	4.57 MM	0.180	INCHES

SEPARATOR SEPARATOR THICKNESS 0.105 INCH

INSULATION POSITIVE PLATE ENVELOPED BY VERTICAL SLYVER GLASS MAT

TERMINALS FLAG WITH STAINLESS STEEL NUTS AND BOLTS

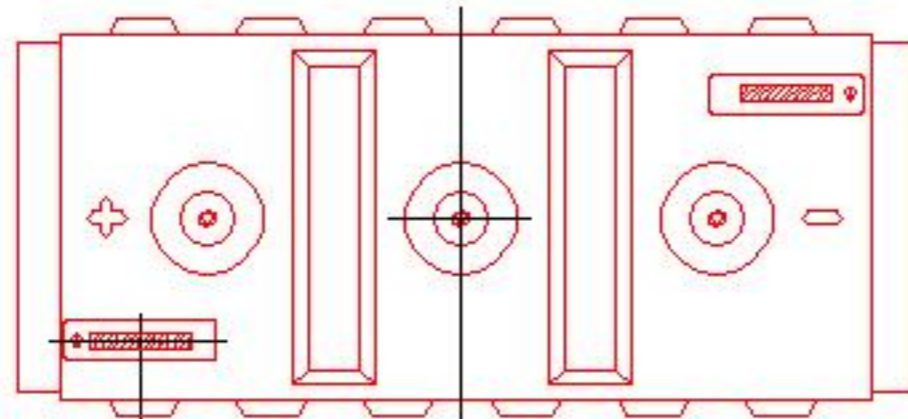
COLD CRANK	CCA	0°F / -17.8°C	1740	RESERVE	1353
	MCA	32°F / 0°C	2175	MINUTES AT 25A	

CAPACITY 20 HR RATE 683

		CAP / AH	CURRENT / AMPS
CAPACITY AT THE 100 HOUR RATE	1.265 SP. GR.	963	9.63
CAPACITY AT THE 72 HOUR RATE	1.265 SP. GR.	908	12.62
CAPACITY AT THE 50 HOUR RATE	1.265 SP. GR.	840	16.80
CAPACITY AT THE 24 HOUR RATE	1.265 SP. GR.	710	29.6
CAPACITY AT THE 20 HOUR RATE	1.265 SP. GR.	683	34.2
CAPACITY AT THE 15 HOUR RATE	1.265 SP. GR.	635	42.3
CAPACITY AT THE 12 HOUR RATE	1.265 SP. GR.	594	49.5
CAPACITY AT THE 10 HOUR RATE	1.265 SP. GR.	567	56.7
CAPACITY AT THE 8 HOUR RATE	1.265 SP. GR.	533	66.6
CAPACITY AT THE 6 HOUR RATE	1.265 SP. GR.	485	80.8
CAPACITY AT THE 5 HOUR RATE	1.265 SP. GR.	458	92
CAPACITY AT THE 4 HOUR RATE	1.265 SP. GR.	423	106
CAPACITY AT THE 3 HOUR RATE	1.265 SP. GR.	382	127
CAPACITY AT THE 2 HOUR RATE	1.265 SP. GR.	328	164
CAPACITY AT THE 1 HOUR RATE	1.265 SP. GR.	232	232



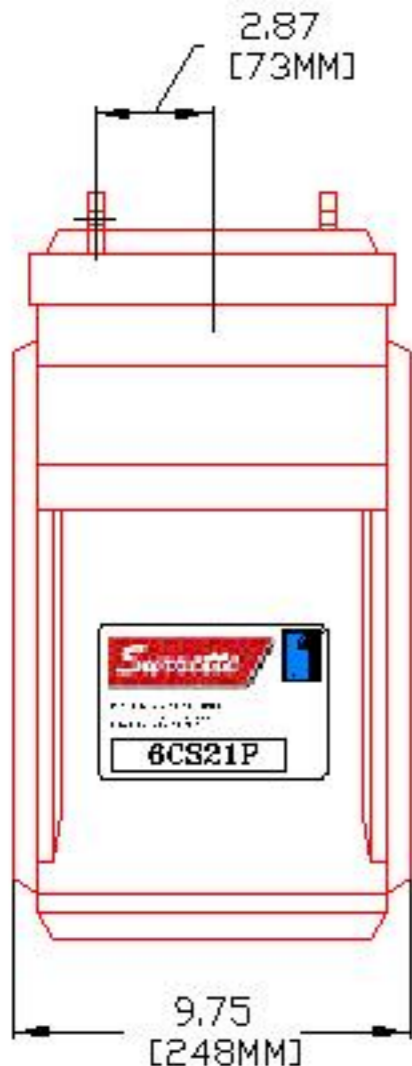
SURRETTE BATTERY CO. LTD.



7.88 [200MM]

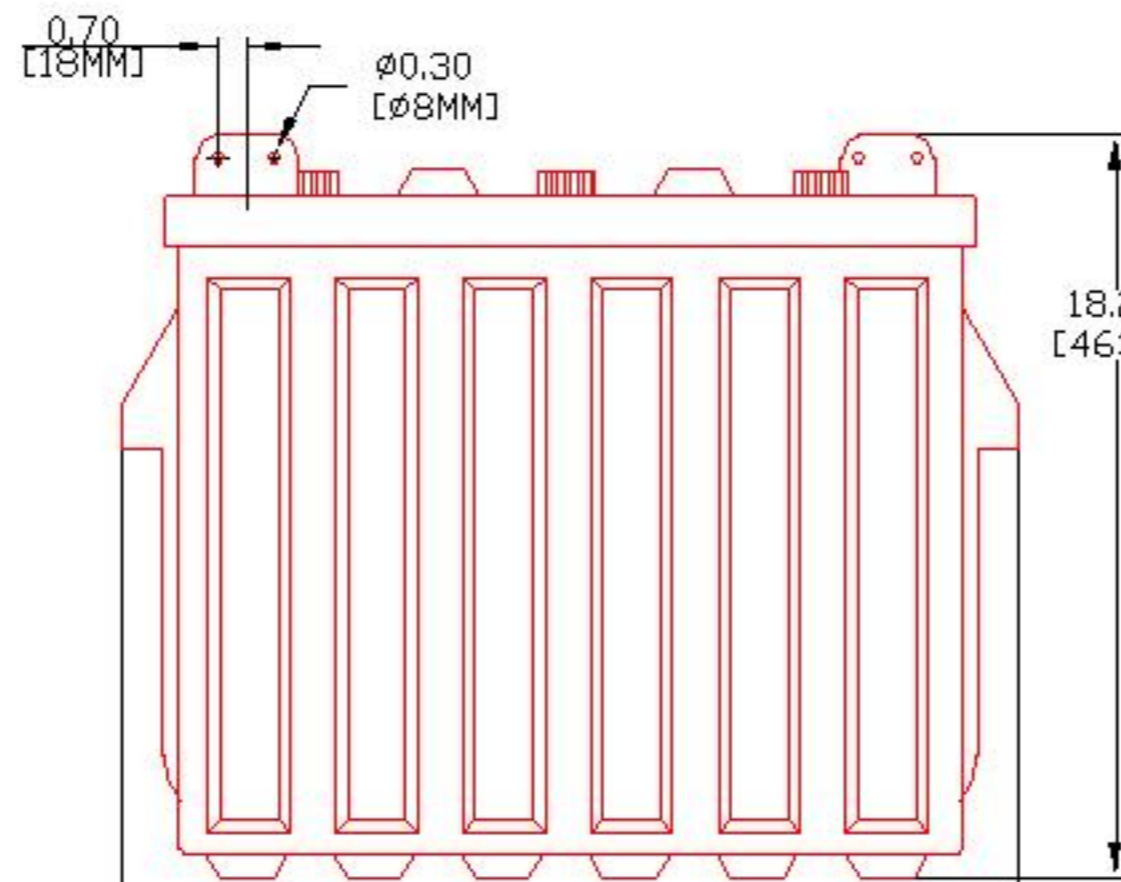


MAX HEIGHT WITH OPTIONAL HYDROCAPS 18 5/8" - 473 MM



2.87 [73MM]

9.75 [248MM]



0.70 [18MM]

ø0.30 [ø8MM]

18.25 [463MM]

22.00 [559MM]

PART NUMBER: 6-CS-21P

WEIGHT WET: 271 LB / 123 KG

WEIGHT DRY: 217 LB / 98 KG

CAPACITY: 683 AH 20 HR
963 AH 100 HR

VOLTAGE: 6 V

OVERALL DIMENSIONS: 22X9 3/4X18 1/4"



BATTERY COMPANY LIMITED
SPRINGHILL / NOVA SCOTIA / CANADA
PRODUCT OF CANADA

TITLE: 6CS21P

DESCRIPTION: 6V / 2 CELL 21 PLATE (CS) DEEP CYCLE 500/5000 SERIES

CONTACT INFO:
WEB: WWW.SURRETTE.COM
E-MAIL: SALES@SURRETTE.COM
PHONE: 1-800-681-9914

SCALE: 1" = 5" 1" = 4" JPEF NOT TO SCALE
8.5" X 11" 11" X 17"

Drawn by: S. WILES Approved By: D. SURRETTE

DATE: 14-JUN-00 REVISION 2.1

DRAWING NO.: DWG 006, BD6CS21P